

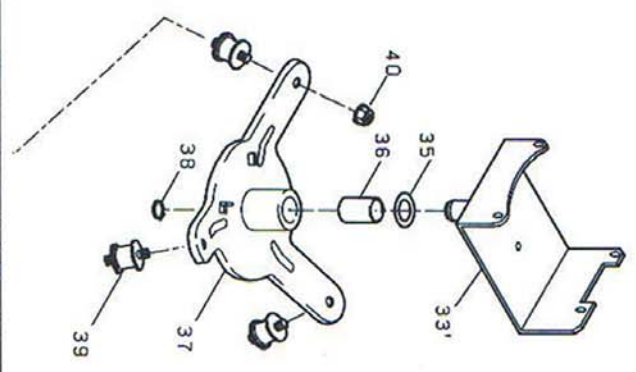


DECESPUGLIATORE EIKOH

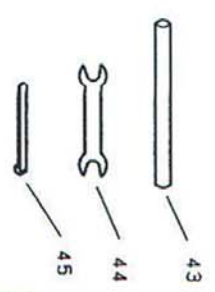
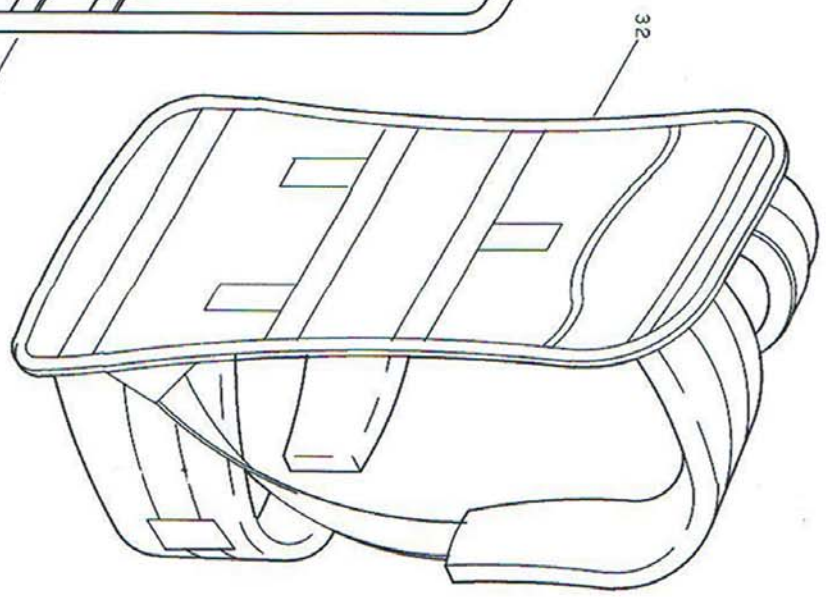
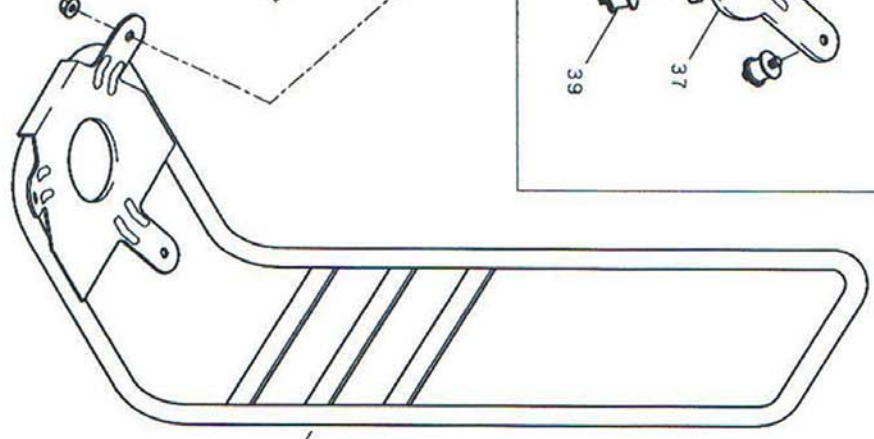
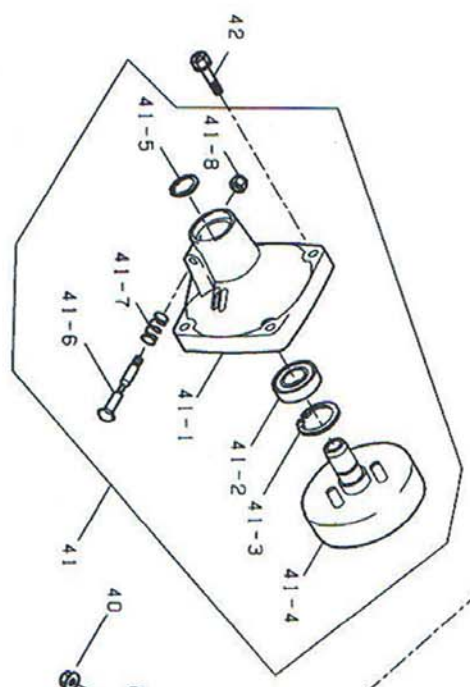
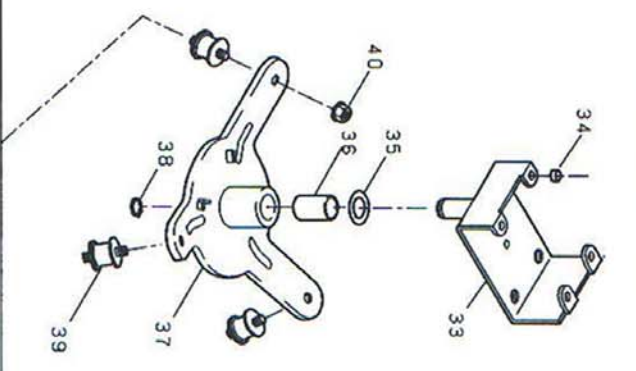
HG504DXLPS

ESPLOSO RICAMBI

TL43PFD, TL52PSD



TH43DX, TH48DX



HG404DXLPS
 HG504DXLP
 0304 (P2/P2)

HG504DXLP

ref.number	part code	description	quantity
1	1682745	GEAR CASE ASS'Y	1
1-1	1666911	GEAR CASE	1
1-2	1666912	PINION	1
1-3	0045130	PINION BEARING	1
1-4	0045510	PINION BEARING	1
1-5	0082030	STOP RING	1
1-6	0083170	STOP RING	1
1-7	0045020	GEAR BEARING	1
1-8	1666913	GEAR	1
1-9	1666914	GEAR SHAFT	1
1-10	0047030	SHAFT BEARING	1
1-11	0083190	STOP RING	1
1-12	1664754	OIL HOLE PACKING	1
1-13	0011000	OIL HOLE BOLT	1
1-14	1664003	HOLDER CUTTER	1
1-15	1666916	CAP CUTTER	1
1-16	1650957	STABILIZER	1
1-17	1666919	NUT	1
1-18	0024210	SCREW	1
1-19	0018120	BOLT	2
2	1668108	DRIVE SHAFT HOUSING ASS'Y	1
2-1	1668107	DRIVE SHAFT HOUSING	1
2-2	2041200	METAL CUSHION	6
2-3	2031060	OIL METAL	6
3	1666983	DRIVE SHAFT	1
4	1668104	FLEXIBLE HOLDER ASS'Y	1
4-1	1668103	FLEXIBLE HOLDER	1
4-2	1668102	O-RING	1
4-3	7140310	KNOB(B)	1
4-4	1664178	KNOB(B) SPRING	1
4-5	0080910	SNAP RING	1

HG504DXLP

4-6	0024210	SCREW	1
4-7	0018090	BOLT	1
5	1667669	FLEXIBLE SHAFT ASS'Y(930mm)	1
	1667668	FLEXIBLE INNER SHAFT (930mm)	1
6	1666379	SAFETY GUARD	1
7	1666378	SAFETY GUARD HOLDER	1
8	0028240	SCREW	4
9	1665880	BLADE ASS'Y	1
9-1	1665794	BLADE	1
9-2	0010570	BOLT	2
9-3	0032220	WASHER	2
9-4	1664243	NUT	2
10	1683452	HANDLE ASS'Y	1
11	1684371	THROTTELE LEVER ASS'Y	1
12	2041030	HANDLE DAMPER	1
13	1667713	HANDLE HOLDER	1
14	1667770	SCREW	2
15	0032720	SPRING WASHER	2
16	0032220	WASHER	2
17	0030020	NUT	2
18	1658945	HANDLE HOLDER	1
19	1667771	SCREW	2
20	0030080	NUT	2
21	1655770	LABEL	1
22	3333015	LABEL	1
23	1688403	LABEL	1
24	1655768	LABEL	1
25	1668302	LABEL	1
26	1680542	LABEL	1
27	1687065	LABEL	1
28	1655772	LABEL	2
29	1666953	PROTECTOR	2
30	0080360	BAND	1

HG504DXLP

31	1686853	FRAME	1
32	1686852	CUSHION	1
33	1687155	ENGINE BASE	1
33'	1668099	ENGINE BASE	1
34	1689099	COLLAR	4
35	7159080	WASHER	1
36	7159070	COLLAR	1
37	1684326	BOTTOM BASE	1
38	0082060	STOP RING	1
39	1654093	DAMPER	3
40	1664243	NUT	6
41	1664234	CLUTCH HOUSING ASS'Y	1
41-1	1682981	CLUTCH HOUSING	1
41-2	0046010	CLUTCH BEARING	1
41-3	0083190	STOP RING	1
41-4	7140210	CLUTCH DRUM	1
41-5	0080610	STOP RING	1
41-6	1654099	KNOB(A)	1
41-7	1664174	KNOB(A) SPRING	1
41-8	1654100	NUT	1
42	0018120	BOLT	4
43	1683922	WRENCH	1
44	1654103	SPANNER	1
45	0080360	BAND	1